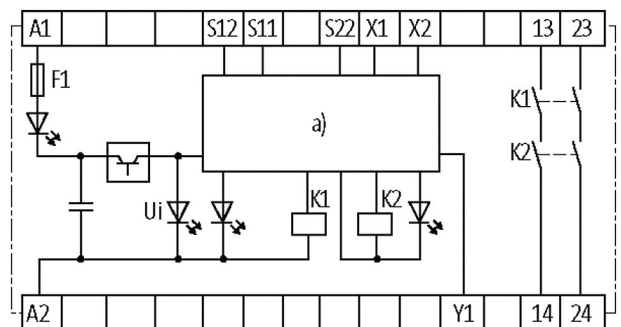
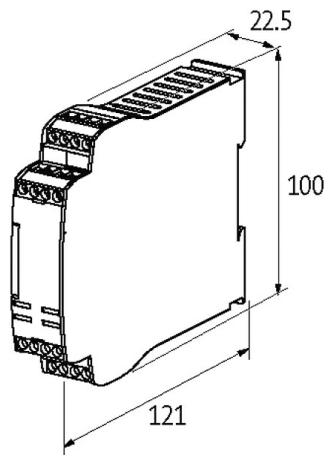


MIRO SAFE+ SWITCH ECOA 24

24 VAC/DC - 2 N/O contact /1 PLC output

- 4 A
- Protection-door and emergency-stop control
- Light curtain control
- Safety magnetic switch control
- Automatic/manual reset/start

Illustration



Product may differ from Image

Input

Input voltage	24 V DC (-15 +20%), 24 V AC (-15 +10%)
---------------	--

Input current	max. 5.2 VA/2.0 W
---------------	-------------------

Output

Switching voltage	max. 250 V AC/DC
-------------------	------------------

Switching current per output	max. 4 A
------------------------------	----------

No. of auxiliary contacts	0
---------------------------	---

No. of alarm outputs	1 - (Y1)
----------------------	----------

No. of safety contacts	2 - (13-14; 23-24)
------------------------	--------------------

Contact material	Ag Sn O, self cleaning, positively driven
------------------	---

Utilization category

Safety contacts (STOP 0)	max. 250 V AC/4 A; min. 5 V AC/1 mA (resist./ind.), at suitable suppression
--------------------------	---

AC-15	2 A (230 V AC) STOP0
-------	----------------------

DC-13	1 A (24 V DC) STOP0
-------	---------------------

Alarm outputs	100 mA (24 V DC)
---------------	------------------

General data

Mech./ elect. life	10 000 000 switching cycles/load dependent
--------------------	--

Connection	Screw terminals
------------	-----------------

Mounting method	DIN-rail mountable (EN 60715)
-----------------	-------------------------------

Dimensions H×W×D	100×22.5×121 mm
------------------	-----------------

Temperature range	-25...+60 °C (storage temperature -40...+85 °C)
-------------------	---

Safety Indicators

PL	up to 4
----	---------

Commercial data

country of origin	DE
-------------------	----

customs tariff number	85364900
-----------------------	----------

EAN	4048879367561
-----	---------------

eClass	27371819
--------	----------

Packaging unit	1
----------------	---